

Discover What's Possible™

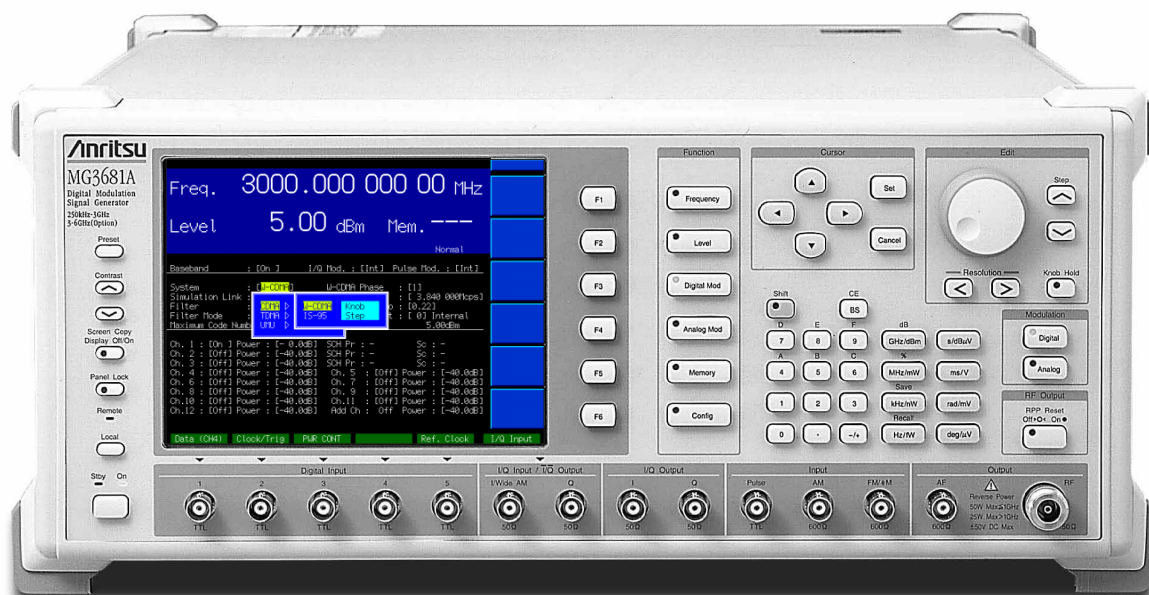
Anritsu

MU368010A TDMA Modulation Unit

MU368030A Universal Modulation Unit

MU368040A CDMA Modulation Unit

(Optional Hardware for MG3681A Digital Modulation Signal Generator)



Supporting World's Digital Mobile Communication Systems

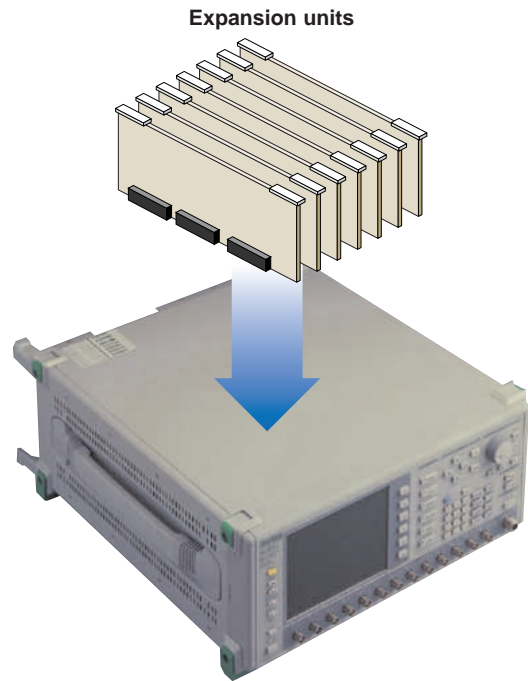
Supporting various communication systems with software

Up to 7 expansion slots are installable. Hardware options available for these slots include the MU368010A TDMA Modulation Unit, MU368030A Universal Modulation Unit and MU368040A CDMA Modulation Unit.




The MU368010A TDMA Modulation Unit is the baseband generator which can install MX368011A PDC Software and MX368012A GSM Device Test Software, enabling the real-time output of various TDMA modulation signals.

The MU368040A CDMA Modulation Unit is the baseband generator which can install MX368041B W-CDMA Software and MX368042A IS-95 Device Test Software, enabling the waveform memory output of various CDMA modulation signals at real time.

The MU368030A Universal Modulation Unit is the baseband generator which can install MX368031A Device Test Signal Generation Software, MX368033A CDMA2000 1xEV-DO Signal Generation Software, MX368034A PDC Packet Software and MX368035A PHS Signal Generation Software enabling the waveform memory output of modulation signals supporting each communication system.



Configuration of Communication System Software and Expansion Units

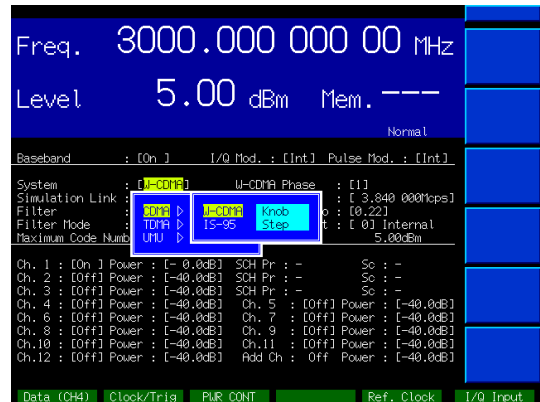
Communication system	Applicable software	Expansion units
PDC	MX368011A PDC Software	 MU368010A TDMA Modulation Unit
GSM	MX368012A GSM Device Test Software	
3GPP (FDD)	MX368041B W-CDMA Software	 MU368040A CDMA Modulation Unit
cdmaOne	MX368042A IS-95 Device Test Software	
CDMA2000 1X CDMA2000 1xEV-DO*1 GSM/EDGE*2 PDC*2, NADC*2, PHS*2	MX368031A*3 Device Test Signal Generation Software	 MU368030A Universal Modulation Unit
CDMA2000 1xEV-DO	MX368033A*3 CDMA2000 1xEV-DO Signal Generation Software	
PDC packet	MX368034A*3 PDC Packet Software	
PHS	MX368035A PHS Signal Generation Software	

*1: For the Forward, only 16QAM modulation is available, 8PSK and QPSK modulation is not available. Since coding format of the Forward and the Reverse is not performed, it is not utilizable for receiver tests.

*2: It is a continuous modulation signal based on the communication system.

*3: The signal format to output can be selected by downloading the waveform data contained in the software from a PC memory card to the waveform memory of the MU368030A Universal Modulation Unit.

The expansion units are installed in the MG3681A Digital Modulation Signal Generator (main frame). Communication system software is provided pre-installed in the expansion unit. Also, a PC memory card is provided for backup. Software changes instantly by selecting the installed software.



Specifications

• MU368010A TDMA Modulation Unit

Applicable software	MX368011A PDC Software MX368012A GSM Device Test Software
Number of slots used	1
Firmware backup space	CPU: 2 Mbyte, FPGA: 512 kbyte
Mass	400 g

• MU368040A CDMA Modulation Unit

Applicable software	MX368041B W-CDMA Software MX368042A IS-95 Device Test Software
Number of slots used	2
Firmware backup space	CPU: 2 Mbyte, DSP: 2 Mbyte, FPGA : 4 Mbyte
Mass	700 g

• MU368030A Universal Modulation Unit

Applicable software	MX368031A Device Test Signal Generation Software MX368033A CDMA2000 1xEV-DO Signal Generation Software MX368034A PDC Packet Software MX368035A PHS Signal Generation Software
Number of slots used	1
Firmware backup space	CPU: 1 Mbyte, FPGA : 1 Mbyte
Mass	300 g

Refer to each software data sheet for additional details.

Ordering Information

Please specify model, order number, name and quantity when ordering.

Model/Order No.	Name
MG3681A	Main frame Digital Modulation Signal Generator (250 kHz to 3000 MHz)
MU368010A	Expansion unit TDMA Modulation Unit*1
W1835AE	Standard accessory MU368010A operation manual: 1 copy
MU368010A-90 MU368010A-91	Maintenance service Extended three year warranty service Extended five year warranty service
MU368040A	Expansion unit CDMA Modulation Unit*1
W1758AE	Standard accessory MU368040A operation manual: 1 copy
MU368040A-90 MU368040A-91	Maintenance service Extended three year warranty service Extended five year warranty service

*1: In order to use MU368010A, MU368030A and MU368040A, exclusive software needs to be installed.

Model/Order No.	Name
MU368030A	Expansion unit Universal Modulation Unit*1
W1973AE	Standard accessory MU368030A operation manual: 1 copy
MU368030A-41	Option Upgrade kit
MU368030A-90 MU368030A-91	Maintenance service Extended three year warranty service Extended five year warranty service
MX368011A MX368012A MX368041B MX368042A MX368031A	Software PDC Software (for MU368010A) GSM Device Test Software (for MU368010A) W-CDMA Software (for MU368040A) IS-95 Device Test Software (for MU368040A) Device Test Signal Generation Software (for MU368030A)
MX368033A	CDMA2000 1xEV-DO Signal Generation Software (for MU368030A)
MX368034A MX368035A	PDC Packet Software (for MU368030A) PHS Signal Generation Software (for MU368030A)



Specifications are subject to change without notice.

ANRITSU CORPORATION

5-10-27, Minamiazabu, Minato-ku, Tokyo 106-8570, Japan
Phone: +81-3-3446-1111
Telex: J34372
Fax: +81-3-3442-0235

● U.S.A. ANRITSU COMPANY

North American Region Headquarters
1155 East Collins Blvd., Richardson, TX 75081, U.S.A.
Toll Free: 1-800-ANRITSU (267-4878)
Phone: +1-972-644-1777
Fax: +1-972-671-1877

● Canada ANRITSU ELECTRONICS LTD.

700 Silver Seven Road, Suite 120, Kanata,
ON K2V 1C3, Canada
Phone: +1-613-591-2003
Fax: +1-613-591-1006

● Brasil ANRITSU ELETRÔNICA LTDA.

Praia de Botafogo 440, Sala 2401 CEP 22250-040,
Rio de Janeiro, RJ, Brasil
Phone: +55-21-5276922
Fax: +55-21-537-1456

● U.K. ANRITSU LTD.

200 Capability Green, Luton, Bedfordshire LU1 3LU, U.K.
Phone: +44-1582-433200
Fax: +44-1582-731303

● Germany

ANRITSU GmbH
Grafenberger Allee 54-56, 40237 Düsseldorf, Germany
Phone: +49-211-96855-0
Fax: +49-211-96855-55

● France ANRITSU S.A.

9, Avenue du Québec Z.A. de Courtabœuf 91951 Les
Ulis Cedex, France
Phone: +33-1-60-92-15-50
Fax: +33-1-64-46-10-65

● Italy ANRITSU S.p.A.

Via Elio Vittorini, 129, 00144 Roma EUR, Italy
Phone: +39-06-509-9711
Fax: +39-06-502-24-25

● Sweden

ANRITSU AB
Botvid Center, Fittja Backe 1-3 145 84 Stockholm,
Sweden
Phone: +46-853470700
Fax: +46-853470730

● Singapore ANRITSU PTE LTD.

10, Hoe Chiang Road #07-01/02, Keppel Towers,
Singapore 089315
Phone: +65-6282-2400
Fax: +65-6282-2533

● Hong Kong

ANRITSU COMPANY LTD.
Suite 719, 7/F., Chinachem Golden Plaza, 77 Mody
Road, Tsimshatsui East, Kowloon, Hong Kong, China
Phone: +852-2301-4980
Fax: +852-2301-3545

● Korea ANRITSU CORPORATION

8F Hyun Juk Bldg. 832-41, Yeoksam-dong,
Kangnam-ku, Seoul, 135-080, Korea
Phone: +82-2-553-6603
Fax: +82-2-553-6604~5

● Australia ANRITSU PTY LTD.

Unit 3/170 Forster Road Mt. Waverley, Victoria, 3149,
Australia
Phone: +61-3-9558-8177
Fax: +61-3-9558-8255

● Taiwan ANRITSU COMPANY INC.

7F, No. 316, Sec. 1, NeiHu Rd., Taipei, Taiwan
Phone: +886-2-8751-1816
Fax: +886-2-8751-1817

030326